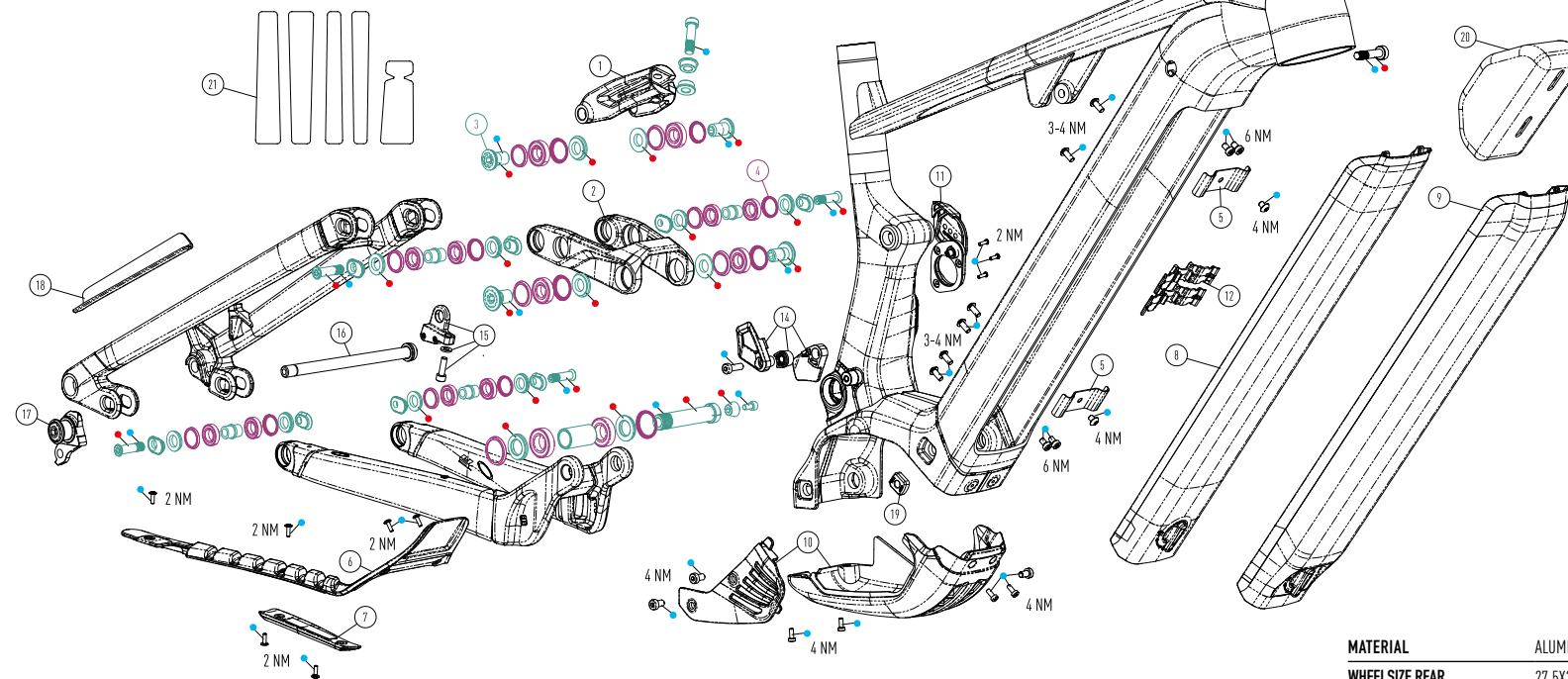
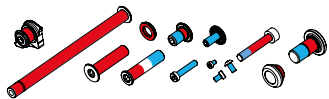


- GREASE
- THREAD LOCK MEDIUM



# FOCUS SAM<sup>2</sup>

PP2501 | AL

POS	PART #	PART NAME	QTY
01	237049900	SHOCK EXTENSION	1
02		MAIN LINK INKL. BEARINGS	1
03	23701080001	BOLT KIT	1
04	890001400	BEARING&SEALS KIT	1
05	237067200	CABLE ROUTING PART	2
06	222021300	CHAINSTAY PROTECTOR	1
07	222021000	LOWER CHAINSTAY PROTECTOR	1
08	998929000	BATTERY COVER 600WH	1
09	998930000	BATTERY COVER 800WH	1
10	998931000	MOTOR COVER SET	1
11	222021100	CHARGE PORT BRACKET	1

12	222020700	HIDDEN AIRTAG OR CHIPPOLO HOLDER	2
13	222020800	LOCK PLUG	1
14	221300400	CHAIN GUIDE	1
15	212000000	KICKSTAND ADAPTER KIT	1
16	361001700	THRU AXLE M12X1	1
17	224001900	UDH HANGER	1
18	222031500	SEAT STAY PROTECTOR	1
19	391492400	MOTOR MOUNT NUT	1
20	551000100	TOOL BAG (M,L & XL ONLY)	1
21	860986200	PROTECTION STICKER SET	1

<b>MATERIAL</b>	ALUMINUM 7005
<b>WHEELSIZE REAR</b>	27.5X2.6"
<b>WHEELSIZE FRONT</b>	29X2.6" / 15 X 110 - 29" / 12 X 148 / MAX TIRE 66 MM
<b>TRAVEL</b>	FRONT 170 MM - REAR 165 MM
<b>SHOCK LENGTH</b>	230 MM - STROKE 62.5 MM
<b>HEADSET</b>	ACROS ZS56/ZS66 (ICR), FOCUS C.I.S.
<b>FORK</b>	29" - LENGTH 590 MM - RAKE 44 MM
<b>SEATPOST / SEATCLAMP</b>	Ø34,9 MM - Ø38,5 MM - MINIMUM INSERT 100 MM
<b>MAX SEATPOST INSERTION</b>	S: 220 MM M: 250 MM L: 270 MM XL: 290 MM
<b>REAR BRAKEMOUNT</b>	POSTMOUNT MIN. Ø180 MM - MAX. ROTOR Ø225 MM
<b>REAR AXLE</b>	173 MM / Ø12 MM / PITCH 1,0
<b>RD HANGER</b>	SRAM UDH
<b>CHAINGUIDE</b>	FOCUS CHAINGUIDE
<b>CHAINRING</b>	MIN CHAINRING SIZE: 34 / MAX CHAINRING SIZE: 36 /
<b>CHAINLINE</b>	55 MM
<b>KICK STAND MOUNT</b>	WITH ADAPTOR 18 MM
<b>MOTOR</b>	BOSCH PERFORMANCE CX
<b>BATTERY</b>	BOSCH 800 WH / 600 WH
<b>REAR SHOCK SAG</b>	SAG IN %: 30 / SAG IN MM: 16,5
<b>MAX SYSTEM WEIGHT</b>	150 KG